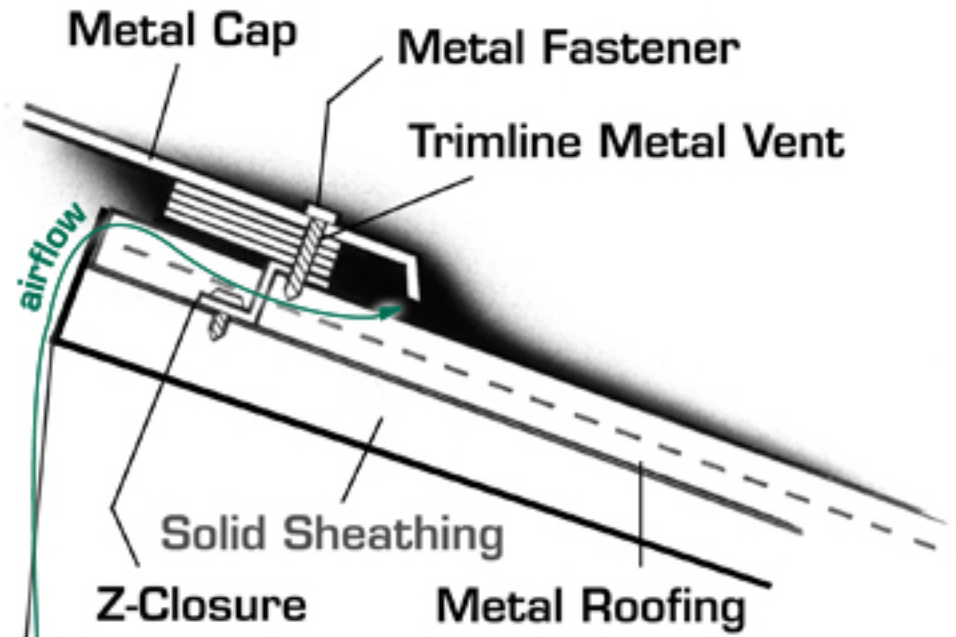
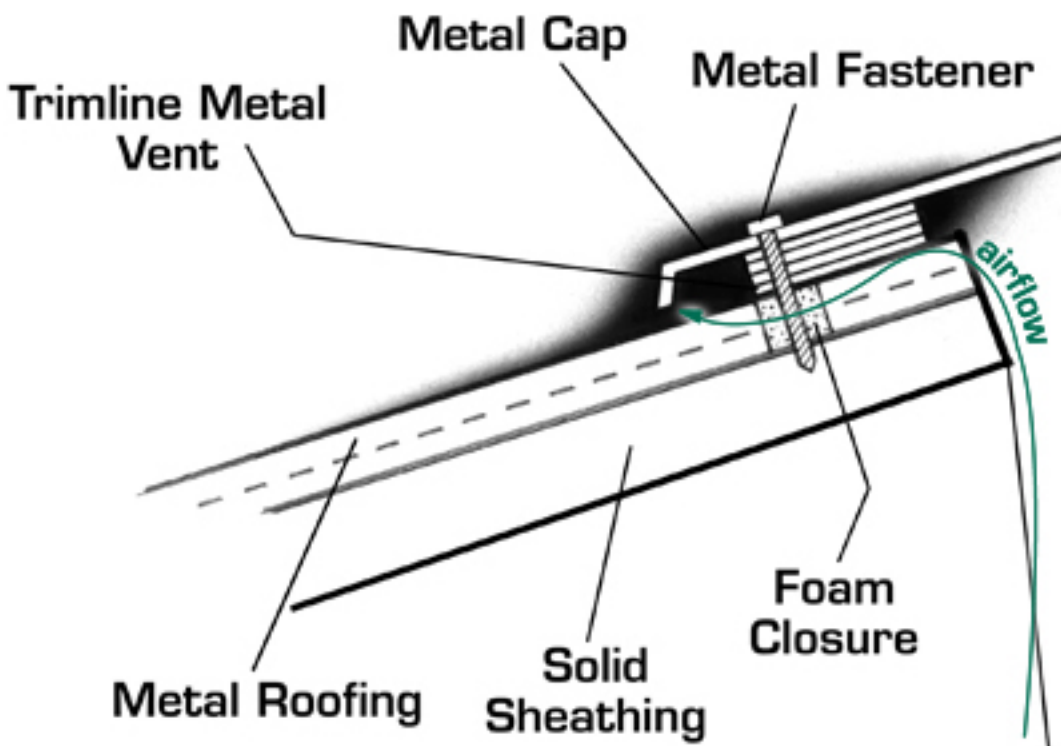


Foam Closure Application

Z-Closure Application



Slot Width

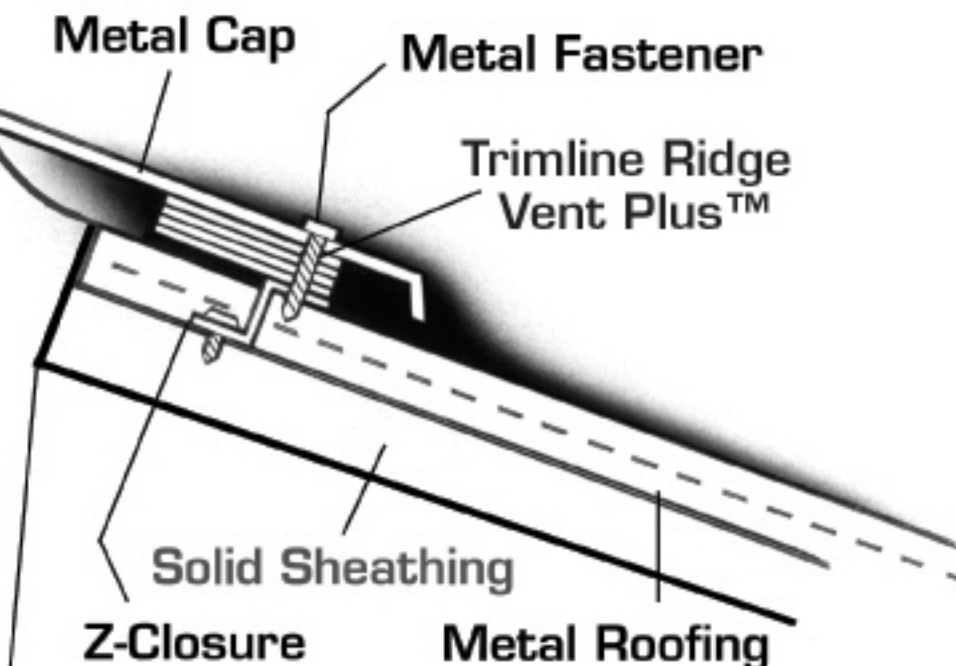
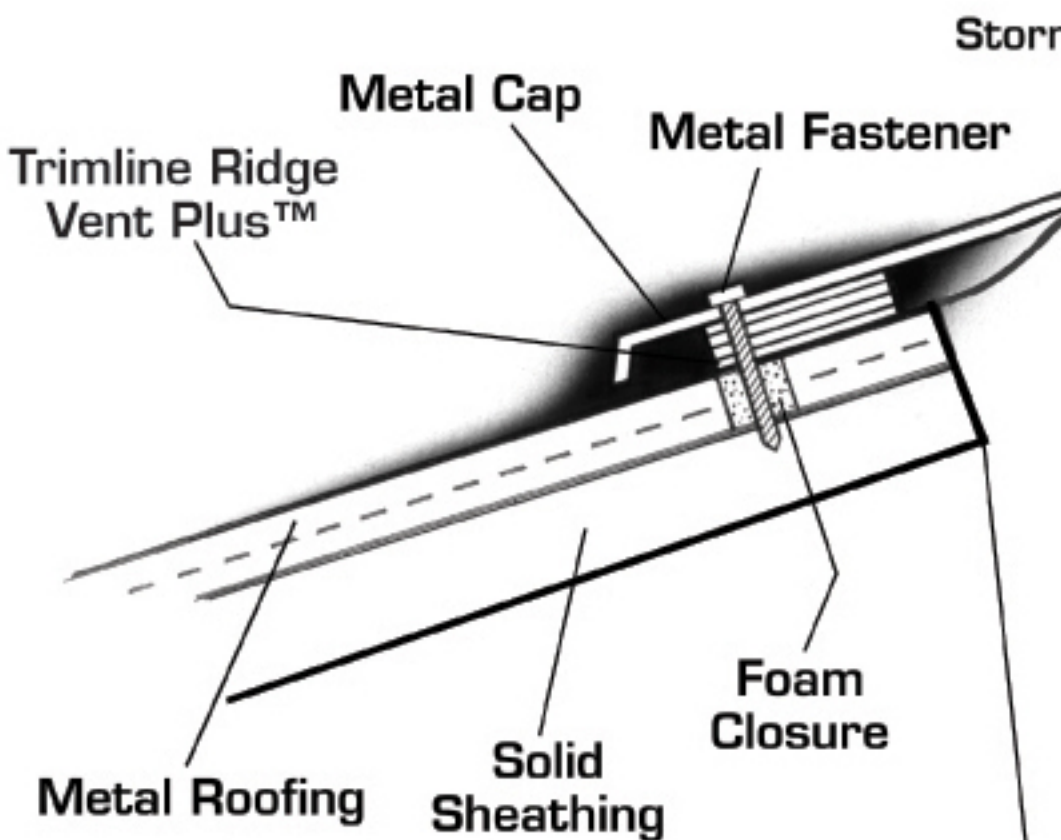
1-1/2" min. opening for
Trimline Metal Vent
(13" NFA - 6-1/2" each side)

Slot Width

1-1/2" min. opening for
Trimline Metal Vent
(13" NFA - 6-1/2" each side)

Foam Closure Application

Z-Closure Application



Slot Width

1-1/2" min. opening for
Trimline Metal Vent
(13" NFA - 6-1/2" each side)

Slot Width

1-1/2" min. opening for
Trimline Metal Vent
(13" NFA - 6-1/2" each side)